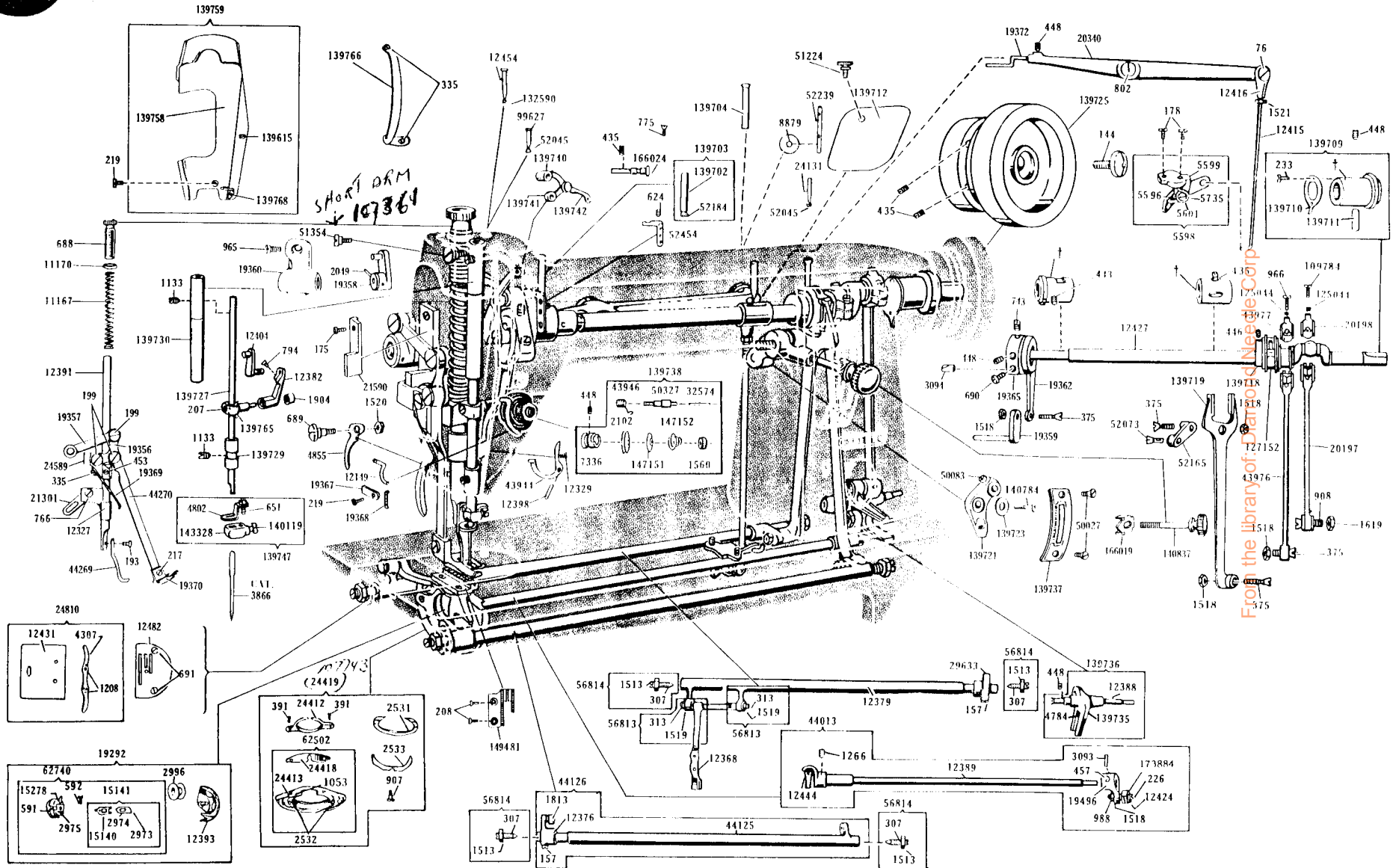


**SINGER**  
**331K5**



# SINGER 331K5



† Not supplied to Agencies

Numerical List of Parts  
for  
Singer 331K5 Machine

Part No.	Description	Part No.	Description
76(819)	Knee or Foot Lifter Lifting Lever Connecting Rod Joint Hinge Screw	15140	Shuttle Bobbin Case Latch
144(803)	Arm Shaft Screw	15141	Shuttle Bobbin Case Hinge, Nos. 2973, 2974 and 15140
157(813)	Feed Lifting Rock Shaft Crank Clamping Screw	15278	Shuttle Tension Spring
157(813)	Feed Rock Shaft Crank Clamping Screw	19292	Shuttle, 1-11/16" diam., complete, Nos. 2996, 12393 and 62740
175(804)	Lifting Presser Bar Guide Bracket Support Screw	19356	Lifting Presser Bar Bell Crank
178(805)	Knee or Foot Lifter Bell Crank Bracket Screw	19357	Lifting Presser Bar Bell Crank Connecting Link
193(809)	Lifting Presser Foot Screw	19358	Lifting Presser Bar Bell Crank Driving Arm
199(809)	Lifting Presser Bar Bell Crank Connecting Link Cap Screw	19359	Lifting Presser Bar Bell Crank Driving Arm Shaft
199(809)	Lifting Presser Bar Guide Bracket Cap Screw	19360	Lifting Presser Bar Bell Crank Driving Arm Shaft Bracket
199(809)	Vibrating Presser Bar Cap Screw	19362	Lifting Presser Bar Bell Crank Driving Arm Eccentric Connection
207(805)	Needle Bar Connecting Stud Clamping Screw	19365	Needle Bar Crank and Lifting Eccentric with 448(830) and 743(830)
208(830)	Feed Dog Screw	19367	Vibrating Presser Bar Cap
217(809)	Vibrating Presser Foot Screw	19368	Vibrating Presser Bar Cushion (rawhide)
219(809)	Face Plate Screw (lower)	19369	Vibrating Presser Bar Spring
219(809)	Vibrating Presser Bar Cap Screw	19370	Vibrating Presser Foot
226(804)	Oscillating Shaft Crank Slide Block Cap Screw	19372	Knee or Foot Lifter Lifting Lever Pin
233(805)	Arm Shaft Flanged Bushing (back) Oil Drip Screw	19496	Oscillating Shaft Crank
307(803)	Feed Lifting Rock Shaft Screw Centre	20197	Crank Connecting Rod with 20198, 125044 and two Crank Connecting Rod with 20198, 125044 and two 109784(805)
307(803)	Feed Rock Shaft Screw Centre	20198	Crank Connecting Rod Cap
313(803)	Feed Bar Screw Centre	NOTE:	Part No. 20198 cannot be supplied individually. Orders must specify No. 20197.
335(809)	Vibrating Presser Bar Spring Screw	20340	Knee or Foot Lifter Lifting Lever with 448(830)
335(813)	Thread Take-up Lever Guard Screw	21301	Knee or Foot Lifter Lifting Lever Link
375(803)	Feed Connecting Link Hinge Screw	24131	Arm Oil Tube with 52045
375(803)	Feed Forked Connection Hinge Screw	24412	Shuttle Bobbin Case Position Plate
375(803)	Feed Lifting Rock Shaft Crank Connecting Rod Hinge Screw	24413	Shuttle Race Body
375(803)	Lifting Presser Bar Bell Crank Driving Arm Eccentric Connection Hinge Screw	24418	Shuttle Race Cap
391(813)	Shuttle Bobbin Case Position Plate Screw	24419	Shuttle Race, complete, Nos. 9071(804), 2531, 2533, 24412, 62902, two each 3911(813) and 2532
435(830)	Arm Shaft Bushing (Intermediate) Set Screw	24589	Lifting Presser Bar Guide Bracket with 453(830)
435(830)	Machine Pulley Set Screw	24590	Lifting Presser Bar Guide Bracket Support
435(830)	Thread Take-up Lever Link Hinge Pin Set Screw	24810	Shuttle Race Slide, complete, Nos. 4307, 12431(819), and two 1208(819)
443(830)	Arm Shaft Bushing (front) Set Screw	29633	Feed Rock Shaft Crank with 157(813)
446(830)	Feed and Feed Lifting Eccentric Set Screw	32574	Tension Releasing Pin
448(830)	Arm Shaft Flanged Bushing (back) Set Screw	43944	Tension Releasing Lever
448(830)	Knee or Foot Lifter Lifting Lever Pin Set Screw	43946	Thread Take-up Spring
448(830)	Needle Bar Crank and Lifting Eccentric Set Screw	43976	Feed Lifting Rock Shaft Crank Connecting Rod with 43977, 125044 and two 966(805)
448(830)	Oscillating Rock Shaft Hinge Pin Set Screw	43977	Feed Lifting Rock Shaft Crank Connecting Rod Cap
448(830)	Thread Take-up Spring Regulator Set Screw	NOTE:	Part No. 43977 cannot be supplied individually. Orders must specify No. 43976.
453(830)	Lifting Presser Bar Guide Bracket Set Screw	44013	Oscillating Shaft 12389 with 12444 and 19447
457(830)	Oscillating Shaft Crank Set Screw	44125	Feed Lifting Rock Shaft
591(806)	Shuttle Tension Regulating Screw	44126	Feed Lifting Rock Shaft, complete, Nos. 12376 and 44125
592(805)	Shuttle Bobbin Case Latch Stop Screw	44141	Tension Screw Stud 50327(803) with 1560(803) (for Agents only)
624(830)	Thread Retainer Set Screw	44269	Lifting Presser Foot
651(804)	Needle Bar Thread Guide Screw	44270	Vibrating Presser Bar
688(809)	Pressure Regulating Thumb Screw	50027(819)	Stitch Indicator Plate Screw
689(803)	Lifting Presser Bar Lifter Screw	50083(830)	Feed Connecting Link Hinge Stud Set Screw
690(805)	Thread Take-up Crank Wedge Screw	50327(803)	Tension Screw Stud
691(850)	Throat Plate Screw	NOTE:	Part No. 50327 cannot be supplied individually. Orders must specify No. 44141.
743(830)	Needle Bar Crank and Lifting Eccentric Position Screw	51224(818)	Arm Side Cover Thumb Screw
766(804)	Knee or Foot Lifter Lifting Lever Link Hinge Screw	51354(803)	Face Plate Screw (upper)
775(805)	Thread Take-up Lever Cap Screw	52745	Arm Oil Tube Packing (braided cotton)
794(805)	Needle Bar Connecting Link Adjusting Screw	52073	Feed Connecting Link Hinge Stud
802(819)	Knee or Foot Lifter Lifting Lever Hinge Screw	52165	Feed Connecting Link
907(804)	Shuttle Race Back Spring Screw	52184	Arm Oil Tube Packing (wick)
908(803)	Crank Connecting Rod Hinge Screw	52235	Arm Spool Pin and Thread Eyelet
965(804)	Lifting Presser Bar Bell Crank Driving Arm Shaft Bracket Screw	52454	Thread Retainer
966(805)	Feed Lifting Rock Shaft Crank Connecting Rod Cap Screw	56813	Feed Bar Screw Centre 313(803) with 1519(805)
988(803)	Oscillating Shaft Crank Slide Block Screw Stud	56814	Feed Lifting Rock Shaft Screw Centre 307(803) with 1513(805)
1053(804)	Shuttle Race Cap Screw	56814	Feed Rock Shaft Screw Centre 307(803) with 1513(809)
1133(830)	Needle Bar Bushing (lower) Set Screw	62502	Shuttle Race Body 24413 with 24418 and two 1053(804)
1133(830)	Needle Bar Bushing (upper) Set Screw	62740	Shuttle Bobbin Case with 591(806), 592(805), 2975, 15141 and 15278
1208(819)	Shuttle Race Slide Spring Screw	96627	Arm Oil Tube with 52045
1266(803)	Shuttle Driver Set Screw	109784(805)	Crank Connecting Rod Cap Screw
1513(809)	Feed Lifting Rock Shaft Screw Centre Nut	125044	Crank Connecting Rod Oil Pad (felt)
1513(809)	Feed Rock Shaft Screw Centre Nut	125044	Feed Lifting Rock Shaft Crank Connecting Rod Oil Pad (felt)
1518(805)	Feed Connecting Link Hinge Screw Nut	127152	Feed and Feed Lifting Eccentric Sleeve
1518(809)	Feed Forked Connection Hinge Screw Nut	132590	Arm Oil Tube Packing (braided cotton)
1518(809)	Feed Lifting Rock Shaft Crank Connecting Rod Hinge Screw Nut	139615	Face Plate Thread Guard (upper), complete, (for Agents only)
1518(809)	Feed Lifting Rock Shaft Crank Connecting Rod Hinge Screw Nut	139702	Arm Oil Tube
1518(809)	Feed Lifting Rock Shaft Crank Connecting Rod Hinge Screw Nut	139703	Arm Oil Tube 139702 with 52184
1518(809)	Feed Lifting Rock Shaft Crank Connecting Rod Hinge Screw Nut	139704	Arm Oil Tube
1518(809)	Feed Lifting Rock Shaft Crank Connecting Rod Hinge Screw Nut	139709	+ Arm Shaft Bushing (front)
1518(809)	Feed Lifting Rock Shaft Crank Connecting Rod Hinge Screw Nut	139710	+ Arm Shaft Bushing (intermediate)
1518(809)	Feed Lifting Rock Shaft Crank Connecting Rod Hinge Screw Nut	139711	+ Arm Shaft Flanged Bushing (back)
1518(809)	Feed Lifting Rock Shaft Crank Connecting Rod Hinge Screw Nut	139712	+ Arm Shaft Flanged Bushing (back) with 233(805), 139710 and 139711
1518(809)	Feed Lifting Rock Shaft Crank Connecting Rod Hinge Screw Nut	139718	Arm Shaft Flanged Bushing (back) Oil Drip
1518(809)	Feed Lifting Rock Shaft Crank Connecting Rod Hinge Screw Nut	139719	Arm Shaft Flanged Bushing (back) Oil Pad
1518(809)	Feed Lifting Rock Shaft Crank Connecting Rod Hinge Screw Nut	139721	Arm Side Cover
1518(809)	Feed Lifting Rock Shaft Crank Connecting Rod Hinge Screw Nut	139723	Feed and Feed Lifting Eccentric with 446(830)
1518(809)	Feed Lifting Rock Shaft Crank Connecting Rod Hinge Screw Nut	139724	Feed Forked Connection
1518(809)	Feed Lifting Rock Shaft Crank Connecting Rod Hinge Screw Nut	139725	Feed Regulator with 50083(803)
1518(809)	Feed Lifting Rock Shaft Crank Connecting Rod Hinge Screw Nut	139727	Feed Regulator Hinge Screw Friction Washer
1518(809)	Feed Lifting Rock Shaft Crank Connecting Rod Hinge Screw Nut	139729	Machine Pulley (disc, heavy rim) "V" Belt Groove (diam. of belt groove 2.9") with two 435(830) for Latin America, Orient and United States.
1518(809)	Feed Lifting Rock Shaft Crank Connecting Rod Hinge Screw Nut	139730	Machine Pulley (disc, heavy rim) "V" Belt Groove (diam. of belt groove 2.9") with two 435(830)
1518(809)	Feed Lifting Rock Shaft Crank Connecting Rod Hinge Screw Nut	139732	Needle Bar (hollow)
1518(809)	Feed Lifting Rock Shaft Crank Connecting Rod Hinge Screw Nut	139735	Needle Bar Bushing (lower)
1518(809)	Feed Lifting Rock Shaft Crank Connecting Rod Hinge Screw Nut	139736	Needle Bar Bushing (upper)
1518(809)	Feed Lifting Rock Shaft Crank Connecting Rod Hinge Screw Nut	139737	Oscillating Rock Shaft
1518(809)	Feed Lifting Rock Shaft Crank Connecting Rod Hinge Screw Nut	139738	Oscillating Rock Shaft, complete, Nos. 4784, 12388 and 139735
1518(809)	Feed Lifting Rock Shaft Crank Connecting Rod Hinge Screw Nut	139740	Stitch Indicator Plate
1518(809)	Feed Lifting Rock Shaft Crank Connecting Rod Hinge Screw Nut	139741	Tension, complete, Nos. 7336, 32574, 43946, 44141, 147151, 147152 and two 2102
1518(809)	Feed Lifting Rock Shaft Crank Connecting Rod Hinge Screw Nut	139742	Thread Take-up Lever with 139742
1518(809)	Feed Lifting Rock Shaft Crank Connecting Rod Hinge Screw Nut	139743	Thread Take-up Lever Link
1518(809)	Feed Lifting Rock Shaft Crank Connecting Rod Hinge Screw Nut	139744	Thread Take-up Lever Thread Eyelet Bushing
1518(809)	Feed Lifting Rock Shaft Crank Connecting Rod Hinge Screw Nut	139745	Needle Clamp, complete, Nos. 651(804), 4802 and 143328
1518(809)	Feed Lifting Rock Shaft Crank Connecting Rod Hinge Screw Nut	139758	Face Plate
1518(809)	Feed Lifting Rock Shaft Crank Connecting Rod Hinge Screw Nut	139759	Face Plate, complete, Nos. 139615, 139758 and 139768
1518(809)	Feed Lifting Rock Shaft Crank Connecting Rod Hinge Screw Nut	139765	Needle Bar Connecting Stud with 207(805)
1518(809)	Feed Lifting Rock Shaft Crank Connecting Rod Hinge Screw Nut	139766	Thread Take-up Lever Guard
1518(809)	Feed Lifting Rock Shaft Crank Connecting Rod Hinge Screw Nut	139768	Face Plate Thread Guard (lower), complete (for Agents only)
1518(809)	Feed Lifting Rock Shaft Crank Connecting Rod Hinge Screw Nut	140119(830)	Needle Clamp Screw
1518(809)	Feed Lifting Rock Shaft Crank Connecting Rod Hinge Screw Nut	140784(803)	Feed Regulator Hinge Screw
1518(809)	Feed Lifting Rock Shaft Crank Connecting Rod Hinge Screw Nut	140837(818)	Feed Regulator Thumb Screw
1518(809)	Feed Lifting Rock Shaft Crank Connecting Rod Hinge Screw Nut	143328	Needle Clamp with 140119(830)
1518(809)	Feed Lifting Rock Shaft Crank Connecting Rod Hinge Screw Nut	147151	Tension Releasing Disc
1518(809)	Feed Lifting Rock Shaft Crank Connecting Rod Hinge Screw Nut	147152	Tension Spring
1518(809)	Feed Lifting Rock Shaft Crank Connecting Rod Hinge Screw Nut	149481	Feed Dog
1518(809)	Feed Lifting Rock Shaft Crank Connecting Rod Hinge Screw Nut	166019	Stitch Indicator
1518(809)	Feed Lifting Rock Shaft Crank Connecting Rod Hinge Screw Nut	166024	Thread Take-up Lever Link Hinge Pin
1518(809)	Feed Lifting Rock Shaft Crank Connecting Rod Hinge Screw Nut	173884	Oscillating Shaft Crank Slide Block.

\*Not Supplied to Agencies.